



RF EMP Protector 80 MHz center, 400W, N – N Jack USS-SL-N-80

Protection for 50 Ohm coaxial cables, based on quarter wave stub technology

For RF-power up to 400 W

Low insertion loss operation from 77 to 83 MHz

N-jack (female) for Input and Output

Tuned to 80 MHz

Very low residual energy protection against overvoltages produced by NEMP / HEMP, lightning or other transients

High surge current capability



The Meteolabor® USS-SL-series RF EMP protectors are specially designed for the protection of coaxial lines. High surge currents on the inner conductor can be handled.

The USS-SL-series products are based on quarter wave stub technology, sometimes also referred to as $\lambda/4$ stub. This technology offers lowest possible insertion loss in the pass-band, while blocking DC and low frequencies.

Various transient protection designs for broadband or limited frequency band operation are available. Generally limited frequency band elements provide lower residual energy in the case of transient overvoltages such as produced by atmospheric discharges (lightning, electrostatic discharge) or a High Altitude Electro-Magnetic Pulse (HEMP), sometimes also referred to as Nuclear Electro-Magnetic Pulse (NEMP) or simply EMP.

Applications

The Meteolabor® USS-SL-N-80 RF EMP surge protector element ensures best protection of a broadband 50 Ohm coaxial line of telecommunication equipment etc. against transient overvoltages (e.g. NEMP / HEMP, lightning).

USS-SL-N-80 is best suited for lines using N connectors, working around the center frequency of 80 MHz with RF-power up to 400 W.

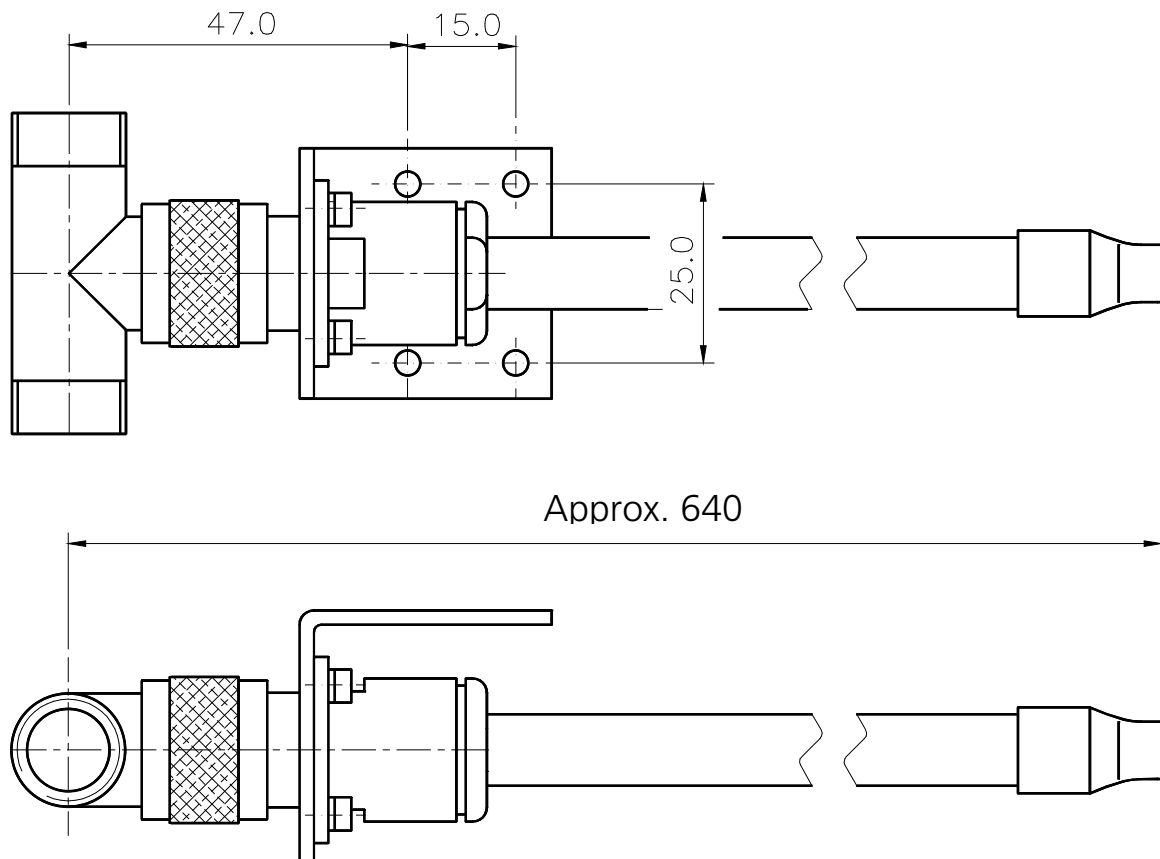
Applications range from mission critical equipment, such as fixed or mobile military installations (e.g. C4I facilities) to civilian or industrial projects, requiring high reliability and state-of-the-art protection.

USS-SL-N-80 has been successfully used in many projects, where HEMP-testing according to RS-105 on threat-level has been conducted

Technical Data USS-SL-N-80

Application	50 Ohm coaxial line	For RF applications with center frequency 80 MHz
Max. operating power	400 W	Matched load
Max. surge current I_{Max}	25 kA	Inner conductor → ground, shape 8/20 μ s, single pulse
Nominal surge current I_N	25 kA	Inner conductor → ground, shape 8/20 μ s, 10 pulses at 30s intervals
Tuning frequency	80 MHz	Factory tuned center frequency
Frequency range	77 to 83 MHz	Insertion loss \leq 0.1 dB
Frequency range	72 to 85 MHz	Insertion loss \leq 0.2 dB
Frequency range	60 to 110 MHz	Insertion loss \leq 0.5 dB
Return loss	\geq 15 dB	77 to 83 MHz
DC resistance	3 m Ω	Typical value
Connectors	N jack (female)	Unprotected and protected side
Operating temperature	-40°C to +85°C	
Ingress protection	IP 65	when coupled with conform mating connectors
Dimensions	650 x 46 mm	Major dimensions, details see drawing
Weight	approx. 300 g	

Dimensions [mm]



Installation Notes

- EMP protectors shall be installed by electrically skilled personnel.
- The electrical wiring must be done according to local regulations.
- The max. values stated in this datasheet must not be exceeded under any circumstances.
- Carefully observe General Recommendations for Protection Installation in this datasheet.

General Recommendations for Protection Installation

- In order to achieve the full performance of a protection circuit the application of good-practice EMC design techniques is necessary for the whole system to be protected.
- For EMP-protection usually a shield as an electromagnetic barrier to protect a certain volume is necessary. This shield avoids coupling of radiated disturbances inside the protected volume. In addition to shielding all penetrating wires must be protected from conducted transient interferences by an appropriate POE (point of entry) protection.
- Use tested, high quality POE (point of entry) protection elements for all wires entering an electromagnetic shield and install these as feed-through devices, e.g. the Meteolabor® USS-1, USS-2, USP, or PLP series.

Ordering Information / Part Number

USS-SL-N-80 RF EMP surge protection stub

Contact

Meteolabor AG
Hofstrasse 92
CH-8620 Wetzikon
Switzerland

Telephone: +41 44 934 40 40
Fax: +41 44 934 40 99
E-Mail: info@meteolabor.ch
www.meteolabor.com

© by Meteolabor AG
All rights reserved.

Content may change without further notice • 2011-04
SL-N-80_e_V1-0